



# TABLE OF CONTENTS

<b>Stainless Fluid Filter with Pump</b> .....	2
SF-20 Stainless Fluid Filter with Pump .....	2
SF-15 Stainless Fluid Filter with Pump .....	5





# STAINLESS FLUID FILTER WITH PUMP



## SF-20 STAINLESS FLUID FILTER WITH PUMP

**SKU:** SF-20

**SF-20 Stainless Fluid Filter with Pump**

### Product Features

- **Diaphragm Pumps:** ARO® Diaphragm Pump
- **Filter and Pipeline Using Stainless**
- **Nominal retention ratings are from 50 to 400  $\mu$ m**
- **Export height Adjustable**
- **Option: Import Design by Customer**
- **Option: Suction line Type by Customer**

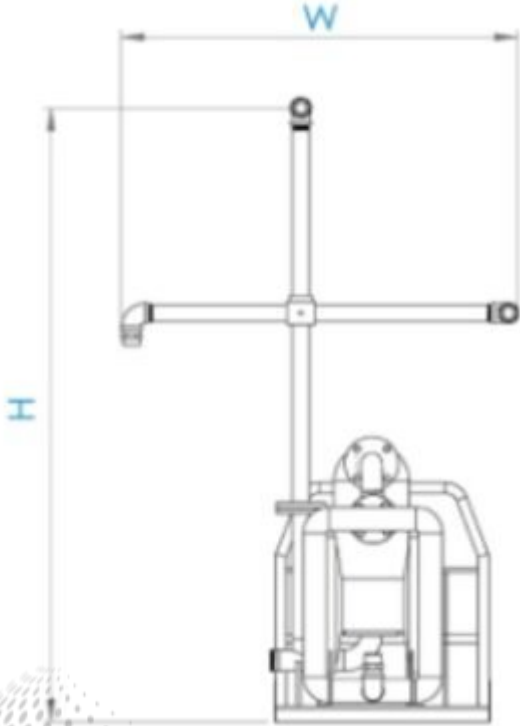
### Specifications

Model	SF-20	
Equipment Dimension(mm)	W	1,100
	L	1,150
	H	1,950
Weight(kg)	145	
PUMP(inch)	2"	
Filter Housing	SIZE 2	
Maximum Flow(gpm)	120	



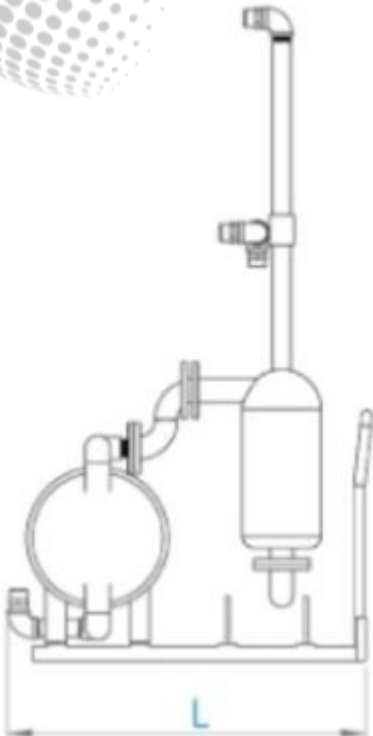
# QUICK 3PL

LOGISTICS SIMPLIFIED



# QUICK 3PL

LOGISTICS SIMPLIFIED



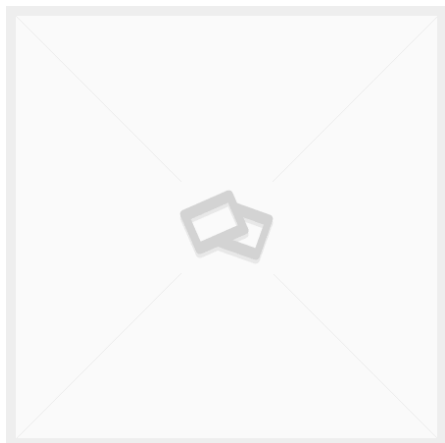


**QUICK 3PL**  
LOGISTICS SIMPLIFIED

**Category:** [Stainless Fluid Filter with Pump](#)



**QUICK 3PL**  
LOGISTICS SIMPLIFIED



## SF-15 STAINLESS FLUID FILTER WITH PUMP

**SKU:** SF-15

**SF-15 Stainless Fluid Filter with Pump**

### Product Features

- **Diaphragm Pumps: ARO® Diaphragm Pump**
- **Filter and Pipeline Using Stainless**
- **Nominal retention ratings are from 50 to 400  $\mu$ m**
- **Export height Adjustable**
- **Option: Import Design by Customer**
- **Option: Suction line Type by Customer**

### Specifications

Model	SF-15	
Equipment Dimension(mm)	W	1,100
	L	1,150
	H	1,950
Weight(kg)	125	
PUMP(inch)	1 1/2"	
Filter Housing	SIZE 1	
Maximum Flow(gpm)	90	



# QUICK 3PL

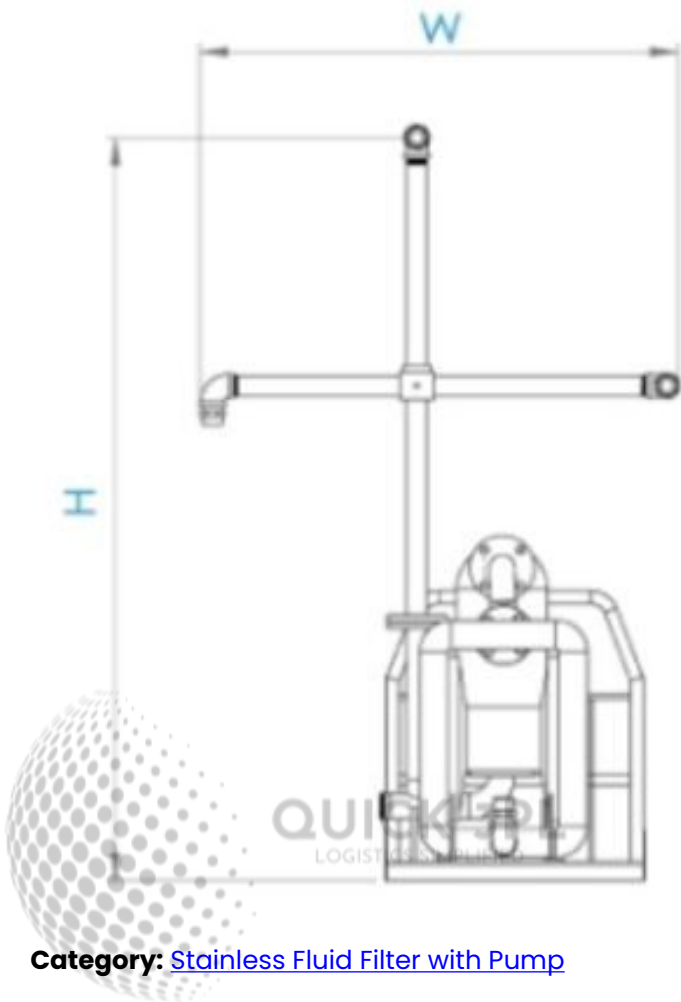
LOGISTICS SIMPLIFIED





**QUICK 3PL**

LOGISTICS SIMPLIFIED



**Category:** [Stainless Fluid Filter with Pump](#)



**QUICK 3PL**

LOGISTICS SIMPLIFIED



**QUICK 3PL**

LOGISTICS SIMPLIFIED



## INDEX

### S

- SF-15 Stainless Fluid Filter with Pump 4
- SF-20 Stainless Fluid Filter with Pump 1

