



TABLE OF CONTENTS

LAB Equipment 2
 STL-1 LAB Super High Variable Speed Mixer 2





LAB EQUIPMENT



STL-1 LAB SUPER HIGH VARIABLE SPEED MIXER

SKU: STL-1

STL-1 LAB Super High Variable Speed Mixer

Product Features

- **Diaphragm Pumps: ARO® Diaphragm Pump**
- **Filter and Pipeline Using Stainless**
- **Nominal retention ratings are from 50 to 400 μm**
- **Export height Adjustable**
- **Option: Import Design by Customer**
- **Option: Suction line Type by Customer**

Specifications

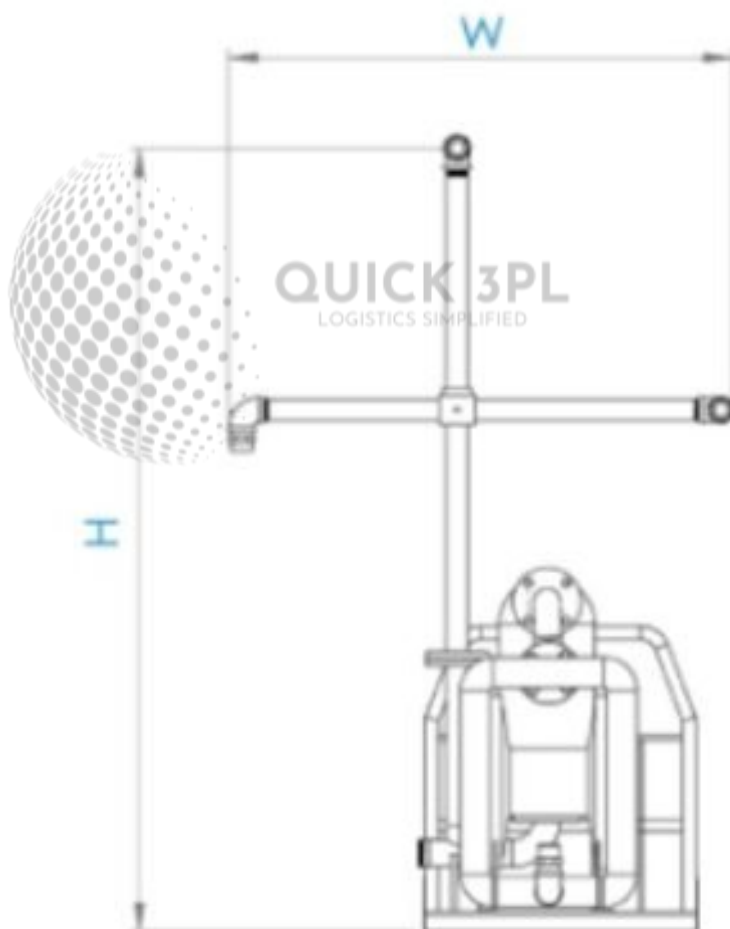
- Diaphragm Pumps: ARO® Diaphragm Pump
- Filter and Pipeline Using Stainless
- Nominal retention ratings are from 50 to 400 μm
- Export height Adjustable
- Option: Import Design by Customer
- Option: Suction line Type by Customer

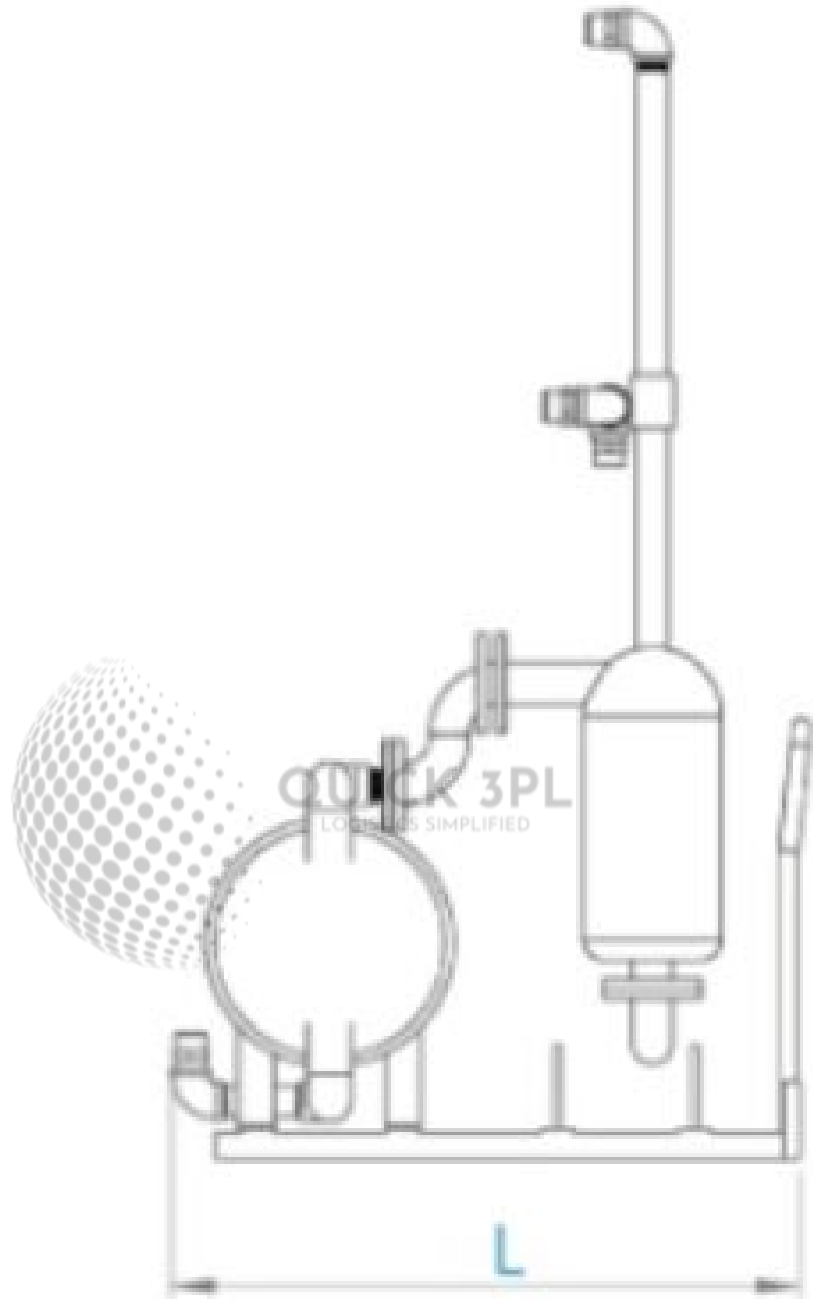


QUICK 3PL

LOGISTICS SIMPLIFIED

Model	SF-20	
Equipment Dimension(mm)	W	1,100
	L	1,150
	H	1,950
Weight(kg)	145	
PUMP(inch)	2"	
Filter Housing	SIZE 2	
Maximum Flow(gpm)	120	





Category: [LAB Equipment](#)



QUICK 3PL

LOGISTICS SIMPLIFIED



QUICK 3PL

LOGISTICS SIMPLIFIED



INDEX

S

STL-1 LAB Super High Variable Speed Mixer 1

