



TABLE OF CONTENTS

Bottle Rinsers Machine	2
Automatic Bottle Rinsers	2
Automatic High Speed Bottle Washing Machine	5
Semi-Auto Bottle Rinsers	8





BOTTLE RINSER MACHINE



AUTOMATIC BOTTLE RINSER

SKU: NBW565

Automatic Bottle Rinsing has steel gripping holders to flip the bottle and to clean the inside. Bottle air rinsing and bottle water rinsing are available in options to clean bottles according to the needs of clients.

Automatic bottle air rinsers are designed for some bottles that cannot be washed by water, such as that of pharmacy, detection agent, injection, medical liquid, healthy food, beverage, and automatic gas blowing bottles for serum.

After filtering and cleaning the air in the bottle, the machines exhaust the dirty air that can keep the machines from being contaminated. After automatic bottle washing machines wash and dry bottles with water or other liquids, they convey the bottles to be filled and packaged.

High Quality Automatic Bottle Washing Machine

Bottle water rinsing and air rinsing are all suitable for glass and plastic bottles, and they are also capable of dealing with large-sized bottles, not like those with fixed specifications. The user-friendly operation allows for easy switching to other types of bottles without manual adjustments.

When bottles are conveyed to the Automatic Bottle Rinsing, they will be flipped upside down to process with high efficiency. The cabinet type coverage of the machine is transparent, so the washing process can be seen directly to ensure the quality and safety.

The machines designed for the pharmacy can meet the production needs of pharmaceutical, food, biotech, and technological industries.

Features

1. Automatic Bottle Rinsing conforming to cGMP manufacturing regulations
2. Bottles conveyed to the machines to wash in a straight line give high efficiency
3. Washing periods are set up according to the types of bottles, and fully cleaning up



4. Automatic Bottle Rinser has a PLC programmed user interface with a touchscreen, saving machinery adjusting time by directly setting parameters.
5. Adopting high high-standard German SICK CCD to locate bottles accurately
6. A complete packaging production line with connecting filling and capping machines
7. Automatic bottle conveying, arranging at a fixed distance, and locating beneath the nozzle precisely
8. Servo motor-driven mechanism, quick container cleaning, and providing stable, accurate, and fast productivity
9. Automatic Bottle Rinser stops working if no bottles are detected by the CCD, saving energy and being environmentally friendly
10. Automatic Bottle Rinser has security buttons and an automatic error-detecting alarm that allows operators to be notified immediately for safety.
11. Bottles are mechanically flipped upside down for cleaning the inside instantly.
12. The conveying speed is adjustable, actively sensing the number of in-feed bottles.
13. Multiple parameter settings are available to produce with high efficiency and to activate machines quickly.
14. Every transmission has lubricating devices, making sure the machinery components in a good performance
15. Conforming to sanitation standards, convey belts customized in accordance with products
16. The washing process is sanitary and safe with a transparent PVC safety coverage and a stainless steel door.
17. Suitable for any type of glass and plastic bottles to wash, and fast and convenient to change over
18. Stainless steel gripping mechanism allows for gripping the neck and the body of bottles firmly and precisely.
19. Automatic Bottle Rinser is made of SUS#304 corrosion-resistant and stainless steel, is solid, sophisticated, durable, and appealing.
20. The bottom of the Automatic Bottle Rinser body is set up with adjustable stainless steel pillars, allowing for the adjustment of the height and horizontal level of the bottle in-feed and the convey belts.

Specification

- **Applicable Bottles:** any kind of glass, plastic material bottles
- **Washing Speed:** 30 bpm (bottles per minute)
- **Power Requirement:** Single-phase 100 or 220 VAC, 50/60 Hz
- **Size:** (L) 2280mm (W) 950mm (H) 1880mm
- **Weight:** 400 Kg

Option Accessories



QUICK 3PL
LOGISTICS SIMPLIFIED

- Automatic bottle feeding machine
- Filling machine
- Automatic labelling machine
- Capping machine

Category: [Bottle Rinser Machine](#)



QUICK 3PL
LOGISTICS SIMPLIFIED



AUTOMATIC HIGH SPEED BOTTLE WASHING MACHINE

SKU: BW5400

Automatic high speed bottle washing machine can work for many types of bottles at the same time. The new generation fast-flipping bottle washing machines are designed for a speedy production line, breaking through the old washing mode that allowed only one row of bottles in the washing machines.

It washes at the same time with double rows of bottles by 180-degree flipping bottle washing.

When the Automatic High Speed Bottle Washing Machine is washing the first row of bottles, the second row is conveyed to wait for the next washing. After finishing washing the first row, the second row will be immediately washed right after the first row finishes. The washing speed doubles by constantly flipping and washing bottles while still conveying and locating new bottles with no time wasted.

We provide bottle water rinsers and bottle air rinsers for different needs of products. The gas washing machine uses powerful gas to inject directly into the containers, cleaning out the dust from the bottles. It becomes an efficient bottle air washing machine, and bottle water washing machines use pure water to rinse.

Highly Efficient Automatic High Speed Bottle Washing Machine

The automatic high speed bottle washing machine can coordinate with the production needs to increase or decrease the number of nozzles. It can cleanse 16 bottles at most, and the size is arbitrary in the range allowed. Glass and plastic material bottles can also be washed at the same time.

No machinery adjustment is needed when working with special bottle types, and they can be washed by customized fixtures. The automatic bottle washing machine is covered by a pharmaceutical-grade transparent protective machinery structure, guaranteeing safety from all sources of contamination during processes.

Automatic High Speed Bottle Washing Machine is suitable for the industries of food, pharmacy, and biotech, which need production lines with a high standard of bottle washing.

Features

1. Automatic High Speed Bottle Washing Machine allows different shapes of bottles at the same time, is easy to locate without



- adjusting nozzles, and the production process.
2. Automatic High Speed Bottle Washing Machine cooperates with production needs; customized number of nozzles.
3. Multiple parameter sets, always memorize and access parameters, and no need to set up the machines again to increase the efficiency.
4. Pharmaceutical grade bottle washing machines conform cGMP standard.
5. The splitting module can work precisely to put bottles into the washing mechanism in order.
6. The Automatic High Speed Bottle Washing Machine actively drains out the dirty gas.
7. High color saturation and resolution human-machine and PLC-controlled touch panel allow to type easily.
8. Automatic High Speed Bottle Washing Machine has an interlocking system that helps halt washing if any production mechanism stops.
9. The choice of gripper modules with special material will not scratch the bottles.
10. The stepper motor-driven conveying mechanism can adjust washing speed according to production needs.
11. Buzzers and tri-color warning lights visualize the situation of the machine to alarm operators.
12. Automatic High Speed Bottle Washing Machine's digital counting works smartly.
13. No need to switch the fixtures when changing over to lift the productivity.
14. Integrated with the present production line, combining filling and capping machines can increase productivity.
15. The Automatic High Speed Bottle Washing Machine is covered by a transparent protection to make the cleaning process safe and sanitary.
16. Automatic High Speed Bottle Washing Machine is made of stainless steel and hardened aluminum alloy to make it durable.
17. The washing period and production interval can be adjusted anytime in accordance with the size of the bottles.
18. Automatic High Speed Bottle Washing Machine is combined with UV disinfecting machines, conforming to the sanitizing needs of pharmaceutical and food factories.

Specification

- **Washing Speed:** 30 bottles/min
- **Bottle Diameter:** 69 ~ 101mm
- **Bottle Height Limit:** No higher than 80mm
- **Power Requirement:** 110/220VAC, 50/60Hz, 1P
- **Air Pressure Requirement:** 0.4Mpa
- **Machine Size:** (L) 4696mm x (W) 1392mm x (H) 1958mm

Option Accessories



QUICK 3PL
LOGISTICS SIMPLIFIED

- Washing Module
- Vacuum System
- UV Tunnel
- Liquid filling machine
- Capping machine

Category: [Bottle Rinser Machine](#)



QUICK 3PL
LOGISTICS SIMPLIFIED



SEMI-AUTO BOTTLE RINSER

SKU: BW2000

Semi-Auto Bottle Rinsers

Bottles are common containers in various industries that serve the purpose of containing products such as food, beverages, medicine, and cosmetics. To ensure the hygiene and quality of products, the bottles must be cleaned thoroughly. The cleanliness of the containers is the basic hygiene standard that affects both the quality and the client's trust.

Semi-auto bottle rinsers are the essential equipment in the filling and packaging process, credited to their capability to clean bottles in various sizes rapidly and efficiently, ensuring the bottles achieve hygiene standards before filling the product.

BWT2000 semi-auto bottle rinsers can clean both the inside and outside of bottles simultaneously with high efficiency. BWT2000 applies to many kinds of bottles, no matter whether it is standard bottles, tall bottles with narrow necks, hard-to-wash bottles, or dusty bottles.

Our machine is suited for industries such as pharmaceutical, food, winery, brewing, biotechnology, laboratory, and glass manufacturing factories.

Semi-Auto Bottle Rinsers: The key item to protect the product quality of industries and ensure hygiene.

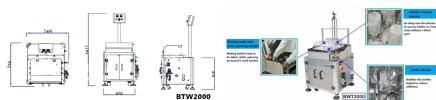
Semi-auto bottle rinsers BWT2000 provide an ideal solution to clean bottles for industries such as brewing, winery, food, pharmaceutical, biotechnology, and cosmetics. BWT2000 cannot only use water or sanitizer to clean bottles, but also can be custom-made to clean recycled bottles based on product needs.

Semi-auto bottle rinsers BWT2000 are equipped with 12 streams of wide-angle rinsing water, which are designed to clean the interior of containers. On the exterior, the machine is equipped with rinsing nozzles that can effectively remove stains on the exterior of the bottles, ensuring the containers are both clean and clear inside and out.

Furthermore, the dedicated blowing process can effectively decrease any remaining water on the containers after rinsing.

Semi-Auto Bottle Rinsers BWT2000's rinsing process can be set based on each bottle's size and degree of dirtiness. One may freely adjust the container's interior and exterior rinse time to not only raise efficiency but ensure each bottle is as clean as a whistle.

Our bottle rinsers are small, but they stand tall with high efficiency





Semi-Auto Bottle Rinser BWT2000's strong rinsing capability and compact size make it the top choice for all industries. It was designed for small batch production; thus, the machine size is within one square meter, and it holds six bottles at the same time. Reducing the workforce needed to rinse the bottles while making it more convenient for personnel to take the bottles. If a large batch is needed, additional rinsing nozzles can be added, or an advanced automatic model is also an option to reduce rinsing frequency and raise the efficiency further.

It is necessary not to damage the glass containers during the rinsing process. BWT2000's rinsing tank is equipped with custom-made stainless steel racks based on each bottle size, which helps stabilize the loaded bottles and prevent them from being damaged. Furthermore, the bottle rack can be disassembled and replaced rapidly.

You may continue to use the Semi-Auto Bottle Rinser BWT2000 in the future for different bottles, increasing the application range of the machine.

Semi-Auto Bottle Rinser BWT2000 is a revolutionary bottle rinser with the advantages of high efficiency, convenience, and safety, making it the essential production equipment for all industries. Providing a faster and more hygienic production process while decreasing labor costs, our machine will let your products meet a higher level of quality standards.



Advantages of Our Bottle Rinser

1. **Low water consumption, save water with high efficiency:** Each rinsing process requires only 7 liters of liquid, which can be water, detergent, or sanitizer. This machine can save resources while being eco-friendly.
2. **Wide-angle high-pressure water makes bottles as clean as a whistle:** High-pressure water rinsing thoroughly cleans the interior and exterior of bottles without a blind spot. Meet the high rinsing standards of brewing, pharmaceutical, and refined chemical



industries.

3. **Compact size, space-saving design:** The bottle rinser is designed to be compact, taking up little space, and is easy to install. Suitable for various production environments.
4. **Wide opening design, convenient to operate:** Convenient to place or take bottles, and easy to rinse.
5. **Custom-made racks to protect the bottles:** Stainless steel racks are dedicated to stabilizing bottles during rinsing and to reduce the risks of colliding, scratching, or cracking bottles, and prevent additional costs.
6. **High standard cleaning, hygiene, and safety:** Meeting hygiene standards to ensure the cleanness of the interior and exterior of the bottles, suitable for all industries with high hygiene requirements.

Applicable products:

Winery Industry: The packaging of bottles of alcoholic beverages, bottles as red wine bottles, white wine bottles, Japanese sake flasks, whiskey bottles, champagne bottles, beer bottles, fruit wine bottles, and gin bottles.

Food Industry: Various food packaging related bottles such as soy sauce bottles, salad dressing bottles, juice bottles, edible oil bottles, vinegar bottles, seasoning bottles, jam bottles, honey bottles, olive oil bottles, water bottles, carbonated beverage bottles, sports drink bottles, tea bottles and other beverage packaging bottles.

Pharmaceutical: Medicine packaging bottles, vials, oral liquid bottles, capsule bottles, eyedrop bottles, nasal spray bottles, dropper bottles, ampoules, powder bottles, and mouthwash bottles, etc.

Health Food: Health supplement bottles, vitamin bottles, protein powder bottles, fish oil bottles, probiotic powder bottles, and energy drink bottles, etc.

Biotechnology and Laboratory: Laboratory containers, culture bottles, Petri dishes, reagent bottles, sample vials, test tubes, biological reagent bottles, graduated cylinders, and glass beakers etc.

Glass Bottles Manufacturer: Various glass bottles, narrow mouth glasses, wide mouth glasses, wine glasses, glass cups, beakers, measuring glasses, etc.

Cosmetics: Cosmetic containers, perfume bottles, essence bottles, lotion bottles, face cream bottles, toner bottles, etc.



Applicable Containers: Glass bottles and glass containers.

Applicable Container Shape: Round bottles, square bottles, narrow mouth bottles, wide mouth bottles (Customizable.)

Applicable Rinsing Liquid: Clear water, disinfectants, detergents, etc.

Rinsing Speed: 20 to 30 seconds per rinsing process (Based on settings and containers condition.)

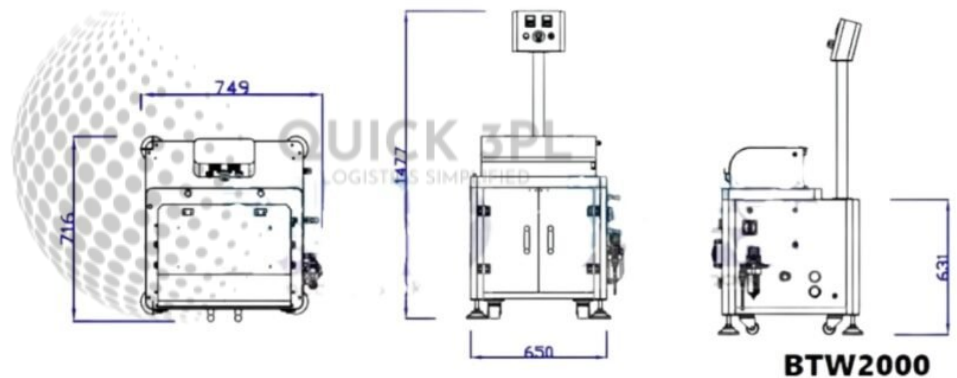
Operation Process of Semi-Auto Bottle Rinsing BWT2000

1. Invert and place the bottles onto the bottle stands of the rinsing tank, and make sure each bottle is placed steadily.
2. Close the lid of the rinsing tank, and make sure the lid is completely sealed to prevent any splash during the rinsing process.
3. After pressing the rinsing switch, the machine will automatically perform the rinsing process based on the rinsing settings set by you.
4. After rinsing is completed, the Semi-Auto Bottle Rinsing will make buzzing sounds (Beeping sounds) to remind the operator to take the rinsed bottles out.
5. Maintenance Method:
 - Regularly clean the water stains: To maintain the best performance of the machine, we recommend cleaning the water stains regularly.
 - Rinsing tank's lid cleaning: The rinsing tank's lid can be disassembled to clean, ensuring the hygiene of each rinsing process.



Applicable industries:

Pharmaceutical, food and beverage, chemical, electronics, clothing and textile, biotechnology, household chemicals, cosmetics, and toy industries.



Features

1. Increasing production efficiency, based on your setting of the rinsing time, the Semi-Auto Bottle Rinser can rinse 8 to 15 bottles per minute, which is the efficiency of 2 to 3 manual rinsing workers, greatly raising production efficiency.
2. High efficiency rinsing, strong rinsing feature to clean the interior and exterior of the glass bottles at the same time, ensuring every corner is clean, without a blind spot.
3. The Semi-Auto Bottle Rinser applies to narrow-mouth bottles, dedicatedly designed for narrow-mouth and long bottles that are difficult to rinse the interior. This is to ensure both the interior and exterior of bottles can be rinsed completely clean.
4. Applicable to various industries, no matter whether it is industries such as brewing, biotechnology, laboratory, or glass bottle manufacturing, Semi-Auto Bottle Rinser can utilize water or



- disinfectants to rinse the bottles completely, react or all kinds of rinsing requirements with flexibility.
5. Semi-Auto Bottle Rinser is equipped with wide-angle streams of rinsing water to rinse every corner of the glass bottles to ensure complete cleanness.
 6. Semi-Auto Bottle Rinser is equipped with 6 interior nozzles and 6 exterior nozzles, cleaning the bottles inside and out without a blind spot.
 7. Semi-Auto Bottle Rinser is installed with an air-blow feature to prevent water residual and increase the rinsing effect.
 8. Compact machine size, easy to install, and suitable for various production environments, effectively utilize the production space.
 9. Adjustable rinsing cycles depend on bottle sizes and dirtiness.
 10. Each rinsing cycle only consumes 7 liters of liquid, saving resources while being eco-friendly.
 11. Semi-Auto Bottle Rinser meets the high rinsing standards of pharmaceutical and refined chemical industries, and ensures the products meet the needs of high hygiene standards.
 12. Semi-Auto Bottle Rinser is installed with detachable stainless-steel bottle racks within the rinsing tank to place the bottles steadily and to protect the bottles from being damaged or cracking.
 13. Semi-Auto Bottle Rinser is designed with a wide opening to make the bottles easier to take while reducing the risk of collisions and making the operation more convenient.
 14. The detachable rinsing tank cover can be detached and cleaned, made of high-quality stainless steel SUS304. Durable and easy to maintain.
 15. Installed with a safety sensor that will prevent the activation of rinsing when the cover is not securely closed to ensure operational safety.
 16. Under running status, if the cover accidentally opened, the machine would stop immediately to prevent accidents.
 17. Reminder function: The Semi-Auto Bottle Rinser is equipped with a buzzer that will remind the operator to retract the bottles after rinsing to ensure a smoother production process.
 18. Semi-Auto Bottle Rinser is equipped with an emergency stop button: Safeguards the operations and lets you operate with peace of mind.
 19. Semi-Auto Bottle Rinser is equipped with a foot pedal switch to raise production efficacy.
 20. Semi-Auto Bottle Rinser is easy to operate; no special training is needed to use our semi-auto bottle rinser.
 21. Bottle racks can be expanded based on production needs, easy to change between different bottles.

Specification

- **Rinsing Nozzle:** 6 interior rinsing nozzles and 6 exterior rinsing nozzles
- **Rinsing Method:** Liquid rinsing
- **Degree of automation:** Semi-auto
- **Rinsing Speed:** 20 to 30 seconds per rinsing process



QUICK 3PL
LOGISTICS SIMPLIFIED

- **Applicable Liquid:** Water, disinfectors, and detergents.
- **Applicable rinsing containers:** Glasses, beakers, and glass cups (Can be customized for other containers)
- **Power Supply:** 110 or 220VAC, 50/60Hz, single phase
- **Machine Dimension:** (L)720mm (W)750mm (H)1500mm
- **Liquid infeed and outfeed position:** On the right side of the machine (Hose length customizable)
- **Manufacturing Location:** Taiwan
- **Warranty Period:** One year
- * Dimensions may vary based on configurations; actual specifications are subject to the machine received.

Option Accessories

- Washing Module

Category: [Bottle Rinser Machine](#)



QUICK 3PL
LOGISTICS SIMPLIFIED



QUICK 3PL

LOGISTICS SIMPLIFIED



QUICK 3PL

LOGISTICS SIMPLIFIED



INDEX

A

Automatic Bottle Rinser 1

Automatic High Speed Bottle Washing Machine 4

S

Semi-Auto Bottle Rinser 7

